

VENUS
2nd GEN
UPS SERIES



The new Venus 2nd GEN (SBP-TBF) Series of uninterruptible power supplies with Transformer-Based Filter (TBF™) offers high performance and comprehensive power protection. This advanced power protection solution offers battery backup plus the ability to regulate voltage fluctuations through an integrated Automatic Voltage Regulator (AVR).

What it does:

- Provides emergency power in case of a power outage
- Prevents data loss from system crashes
- Protects your investment

Protection against...

- Blackouts - With battery backup
- Spikes and surges - With TBF™ Technology
- Under or over voltage fluctuations - With automatic voltage regulation
- Lightning - With surge protection

Benefits:

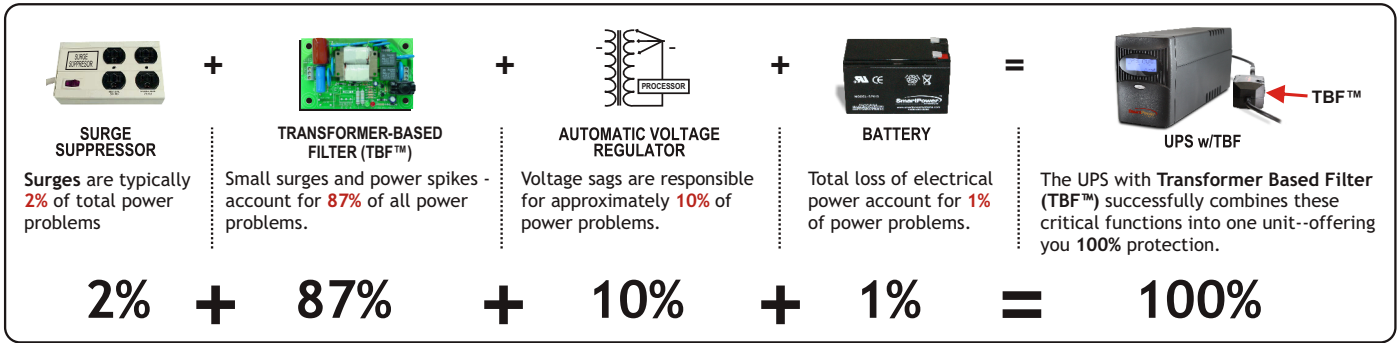
- 100% uptime
- Save money on power related service calls
- Improve business productivity
- Equipment operates as intended
- Equipment lasts longer (customer satisfaction)

Applications:



What's New?

- Easier user replaceable battery
- User can see backup time left on battery
- Programmable battery test



*These figures are averaged numbers based upon studies conducted by AT&T, IBM and others.

Features

- Electronic Power Conditioner (TBF™)
- "Smart Ground" technology—Controls ground noise to protect network systems and also eliminates ground loop current
- Automatic save and shutdown software for unattended computers
- Line interactive design
- Automatic Voltage Regulation
- Programmable battery test
- Fully microprocessor controlled
- USB port
- 50/60 Hz auto sensing
- Audible low-battery indicator
- Cold start (DC power on)
- Two-year equipment warranty

Adapter Cord for Transformer Block

Adaptor cord for equipment with transformer blocks (2 included)



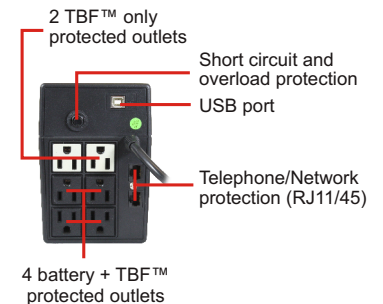
Smart Power Systems provides a complete line of software solutions for standalone and networked computers, including SNMP support.
Supports: Win XP / ME / Vista / 7 / 2000 / 2003 / NT / Server 2008

UPSwing Pro™ for Linux, SCO Unix, Sun Solaris, FreeBSD and Windows with Networking capability is available

FRONT PANEL



REAR PANEL



Specifications

MODEL	SBP0400TBF-6U	SBP0600TBF-6U	SBP0800TBF-6U
	SBP0400TBF-6U-LCD	SBP0600TBF-6U-LCD	SBP0800TBF-6U-LCD
Output Capacity VA / W	400 / 240	600 / 360	800 / 480
Output Voltage (On battery)	120V ±10% 50 or 60 Hz ±0.5%		
TRANSIENT LET THROUGH VOLTAGE	<0.5V Common Mode (N-G) / <10V Normal Mode (L-N) None of the competitors publish N-G Pass Through Voltage		
Visual Indicators	LED (UPS On, Battery On), LCD Display (SBP-LCD models)		
Interface Port	USB		
Back-up Time (Minutes) Half Load	14	8	7
Net Weight (Lbs. / Kg.)	11.02/5.0	12.34/5.6	12.56/5.7
Shipping Weight (Lbs. / Kg.)	11.8 / 5.35	15.1 / 6.84	15.7 / 7.12
Dimensions D x W x H In. (mm)	13 x 4 x 5.6 (330 x 102 x 142)		
Receptacles	4-NEMA 5-15R (BATTERY + TBF) + 2-NEMA 5-15R (TBF ONLY)		
Safety	cUL, UL		

220/230/240V models available. Consult factory for specifications and features.
Specifications and features subject to change without notice.



1-800-882-8285

A POWER QUALITY COMPANY

1760 Stebbins Dr. • Houston, TX 77043 • Tel.713-464-8000 Fax 713-984-0841 • Email sales@smartpowersystems.com • www.smartpowersystems.com

11/14 PN1700385-B